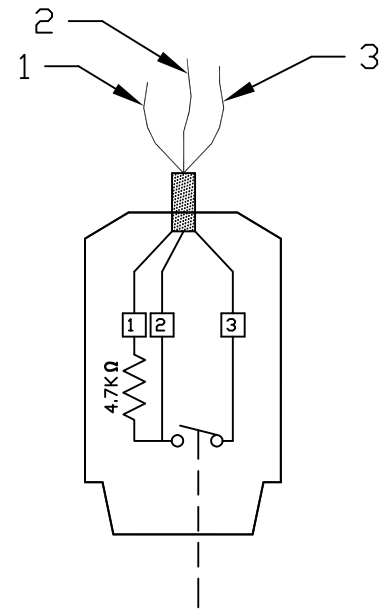
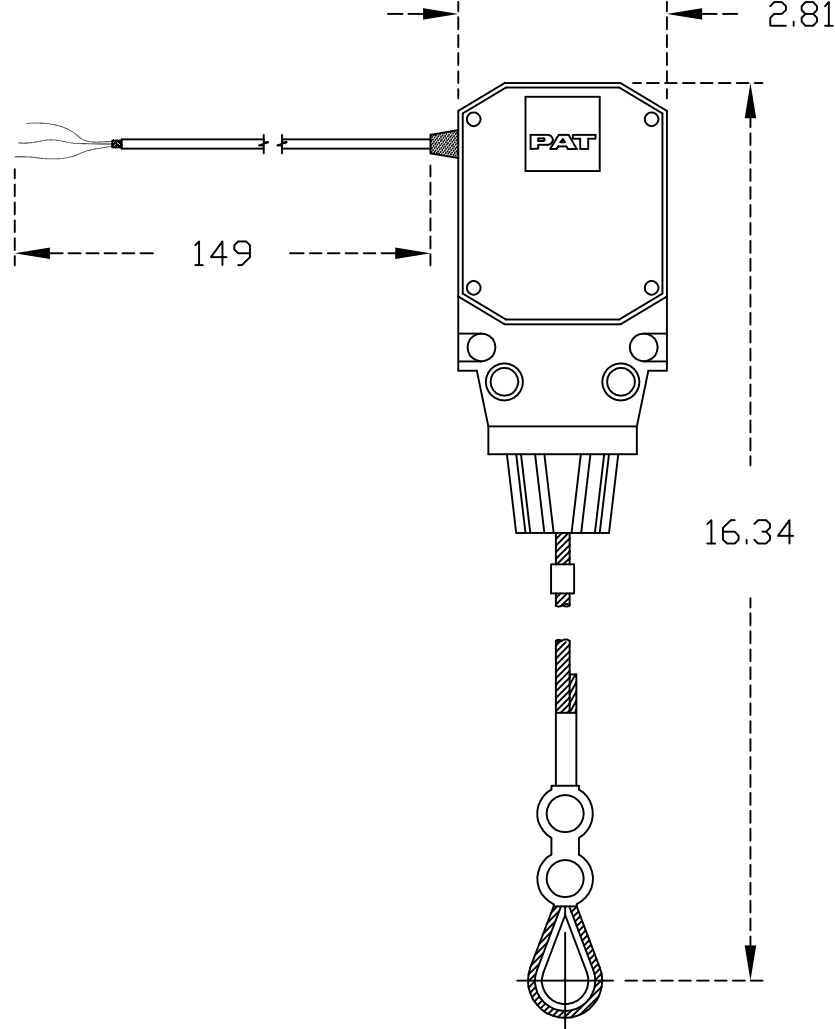
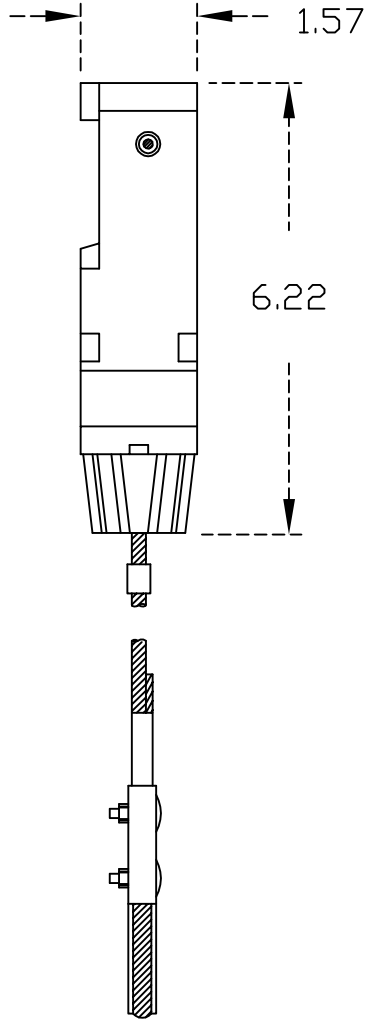



REV	ECN	DESCRIPTION	BY	APV	DATE



ELECTRICAL DIAGRAM

NOTE:
INTERNAL SWITCH AND WIRING ARE INACCESSIBLE

 Hirschmann Automation and Control, Inc. 1540 ORCHARD DRIVE CHAMBERSBURG, PA 17201	TITLE		A2B SWITCH WITH CRIMP			
	GENERAL TOLERANCES		ECN:	031-002-060-011		
Hirschmann Electronics, Inc. reserves proprietary rights to this drawings and to the data shown thereon. The drawing and data are confidential and are not to be used or reproduced without the written consent of Hirschmann Electronics, Inc. This drawing is subject to technical modification with out notice. C.A.G.E. 79760	IN. DIM.	DEC. PLACES	MM DIM.	DRAWN	RLE	10/14/94
	±0.1"	1 PLACE DEC.	±2.5mm	APPROVED	CHRIS HERTZLER	05/13/96
	±0.01"	2 PLACE DEC.	±0.25mm	SCALE:	NONE	SHEET: 1 OF 1
	±0.005"	3 PLACE DEC.	±0.13mm	DWG NO.		REV
1/16"	FRACTION	±1.5mm	031-002-060-011		A	